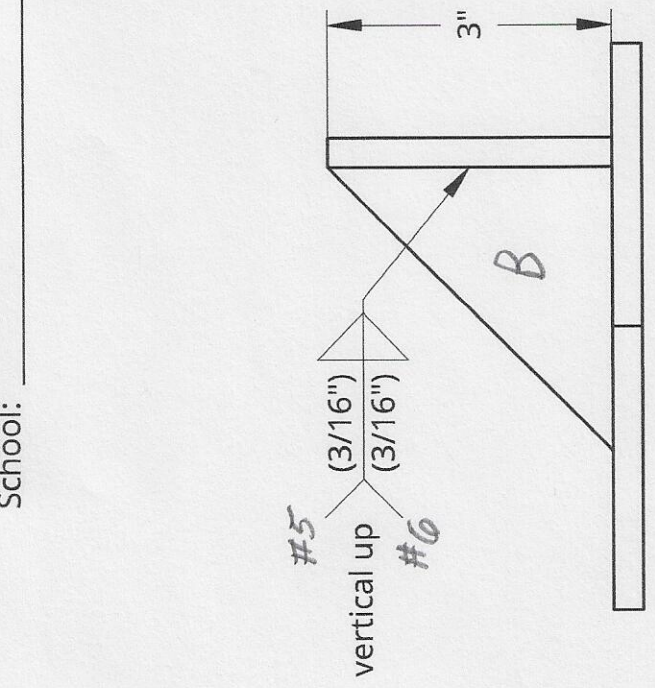


1

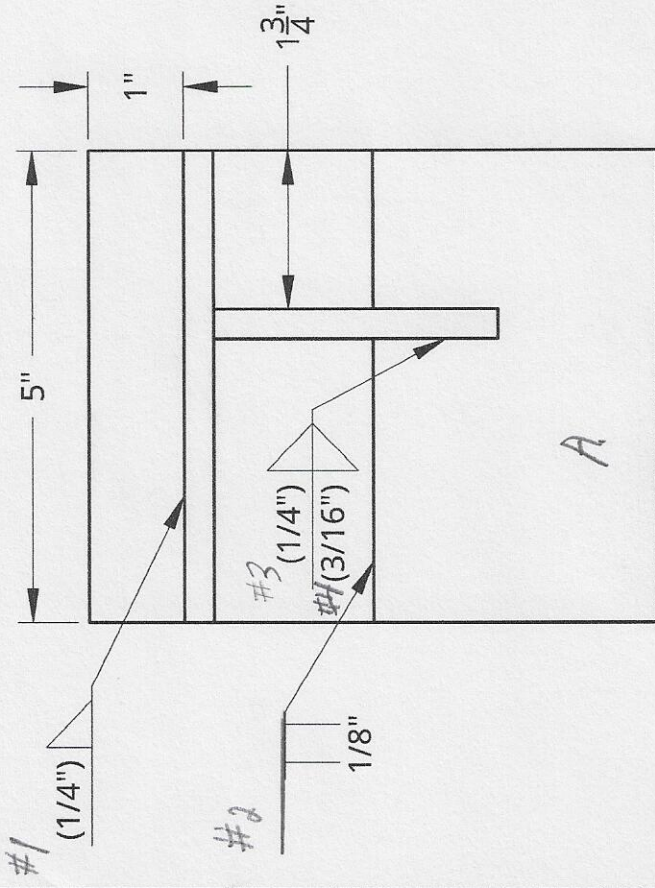
Student Name: _____
School: _____



B

A

2



B

A

SCALE 1:2

Complete all welds as shown.

Weld Scoring (10 pts each)

- Weld #1 - _____
- Weld #2 - _____
- Weld #3 - _____
- Weld #4 - _____
- Weld #5 - _____
- Weld #6 - _____
- Safety/Cleanup - _____
- In proper location - _____
- Total (out of 80) - _____

Item	Quantity	Description
A	3	5/16" plate - 3" x 5"
B	1	5/16" plate - 3" x 3"

UNLESS OTHERWISE SPECIFIED, DIMENSIONS ARE IN INCHES .XX = ±.0- .XXX = ±.00- .XXXX = ±.000- SURFACE FINISH ✓		NAME	DATE
DRAWN	MARK	METER	03/24/2026
CHECKED			
APPROVED			
DO NOT SCALE DRAWING		TITLE	
BREAK ALL SHARP EDGES AND REMOVE BURRS		2026 State ATM Weld Skill	
THIRD ANGLE PROJECTION		SIZE	REV.
MATERIAL		1/2"	A
5/16" A-36 Steel		SCALE	1 of 1
		WEIGHT	
		1:2	

1

2