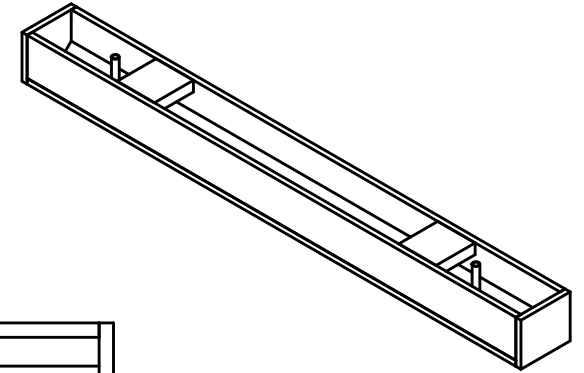
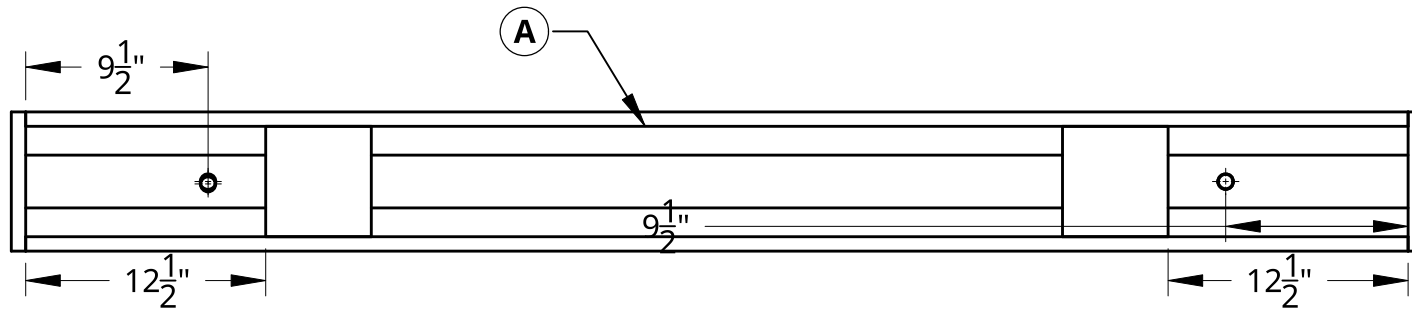


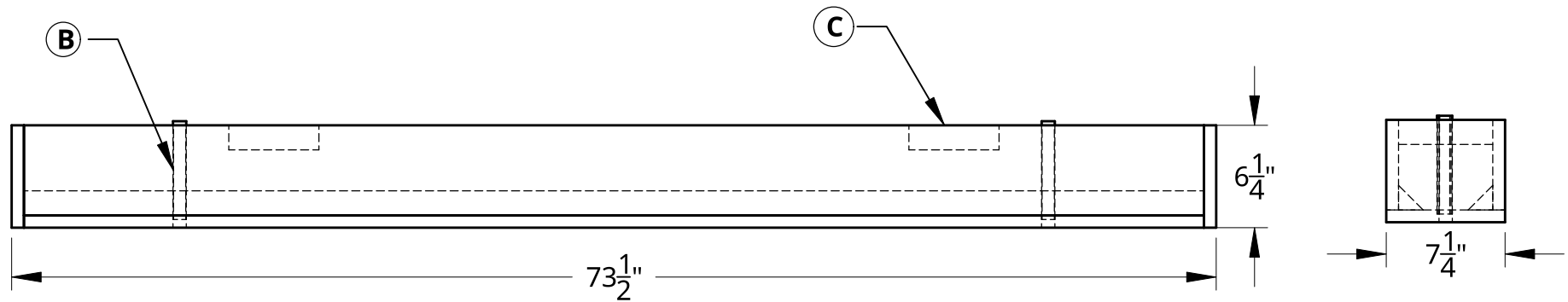
2

1

B



B



A

A - Install chamfer corner in the bottom of the form.

B - Cut 13/16" hole half-way through the bottom board.

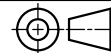
C - Install forklift cutout flush with the top of the form.

UNLESS OTHERWISE SPECIFIED,
DIMENSIONS ARE IN INCHES
.XX = ±.0-
.XXX = ±.00-
.XXXX = ±.000-
ANGULAR = ± °
FRACTIONAL = ±

DO NOT SCALE DRAWING

BREAK ALL SHARP EDGES AND
REMOVE BURRS

THIRD ANGLE PROJECTION



	NAME	DATE
DRAWN		04/27/2026
CHECKED		
APPROVED		
MATERIAL	FINISH	

TITLE		
2026 State Ag Mechanics Team Event		
SIZE	DWG NO.	REV.
A	6 ft Concrete Curb	
SCALE	WEIGHT	SHEET
1:12		1 of 1

2

1